

SERAPID RIGID CHAIN TECHNOLOGY

GPO TRUCK

Die truck with rigid-chain positioning system for dies up to 15 tons



QUICKER DIE CHANGE WITH THE NEW GPO TRUCK

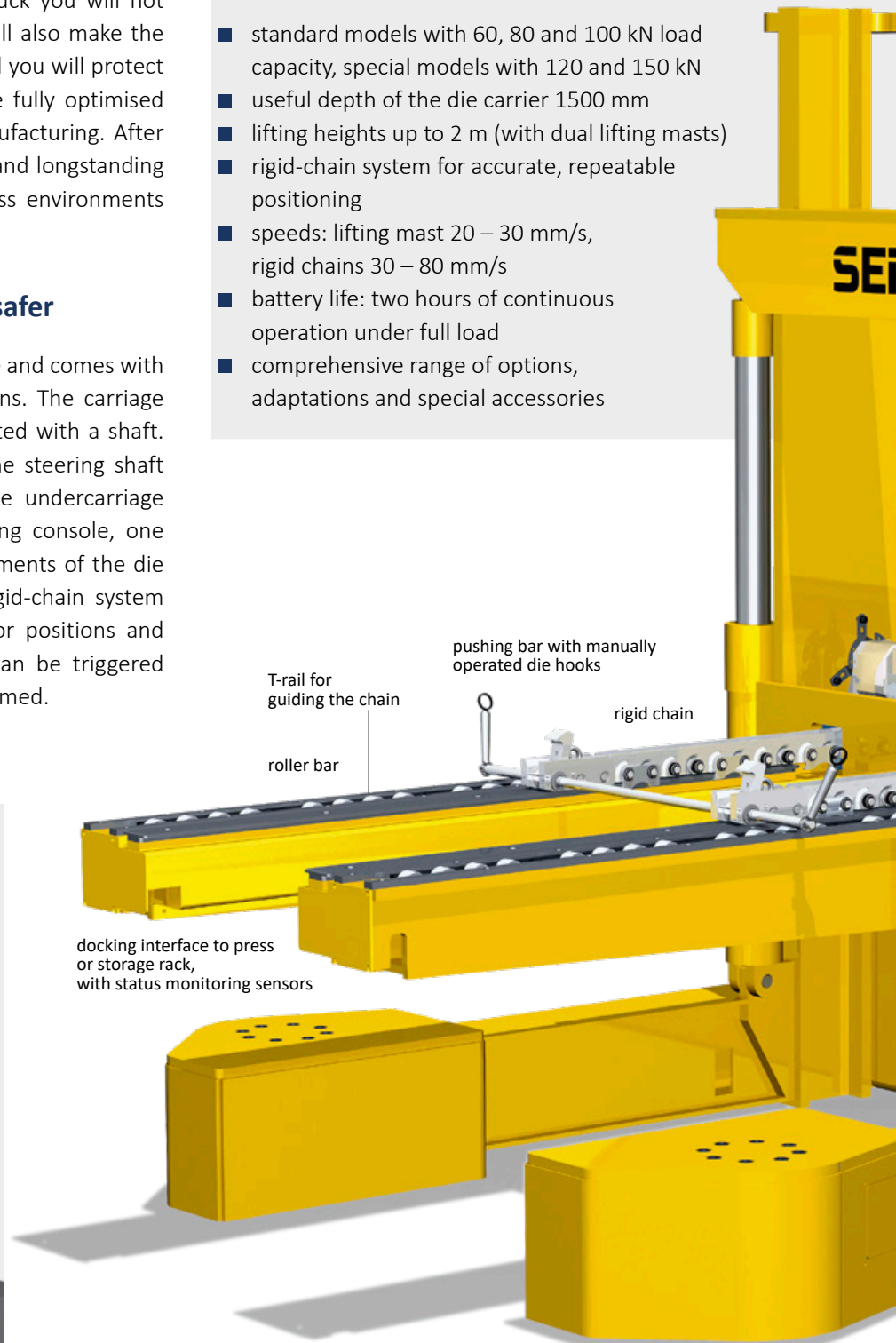
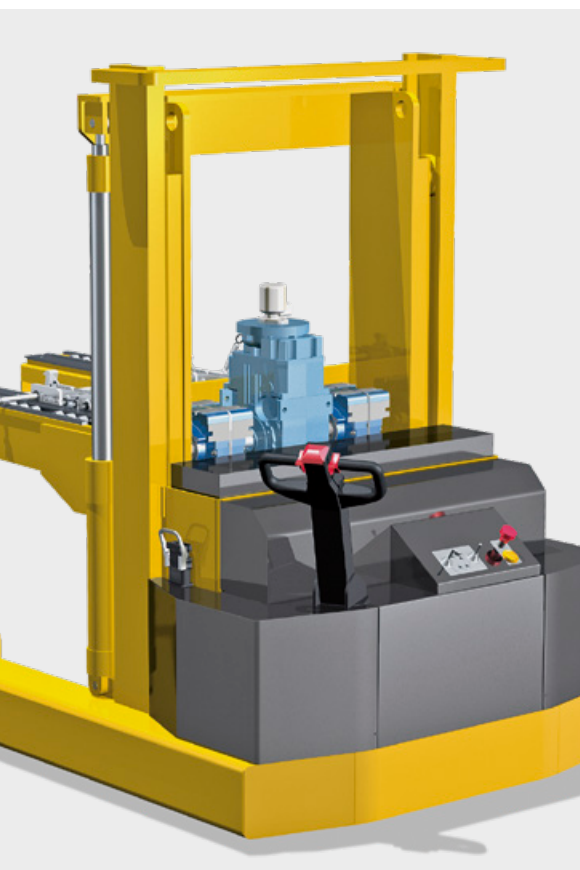
Quick die change is vital to efficient metal forming and stamping. With our GPO die truck you will not only reduce die change time, you will also make the process safer and more reliable – and you will protect your dies. The new GPO models are fully optimised to the demands of present-day manufacturing. After all, they are the result of our broad and longstanding experience from a multitude of press environments and working procedures.

It's quicker as it's easier and safer

The new GPO is even easier to handle and comes with advanced safety and control functions. The carriage is steered, accelerated and decelerated with a shaft. Located on the side of the truck, the steering shaft allows the best line of sight on the undercarriage when manoeuvring. On the operating console, one joystick controls up and down movements of the die carrier, another one controls the rigid-chain system that moves the die. Sensors monitor positions and conditions, so that no movement can be triggered before safety requirements are confirmed.

Features and benefits

- standard models with 60, 80 and 100 kN load capacity, special models with 120 and 150 kN
- useful depth of the die carrier 1500 mm
- lifting heights up to 2 m (with dual lifting masts)
- rigid-chain system for accurate, repeatable positioning
- speeds: lifting mast 20 – 30 mm/s, rigid chains 30 – 80 mm/s
- battery life: two hours of continuous operation under full load
- comprehensive range of options, adaptations and special accessories



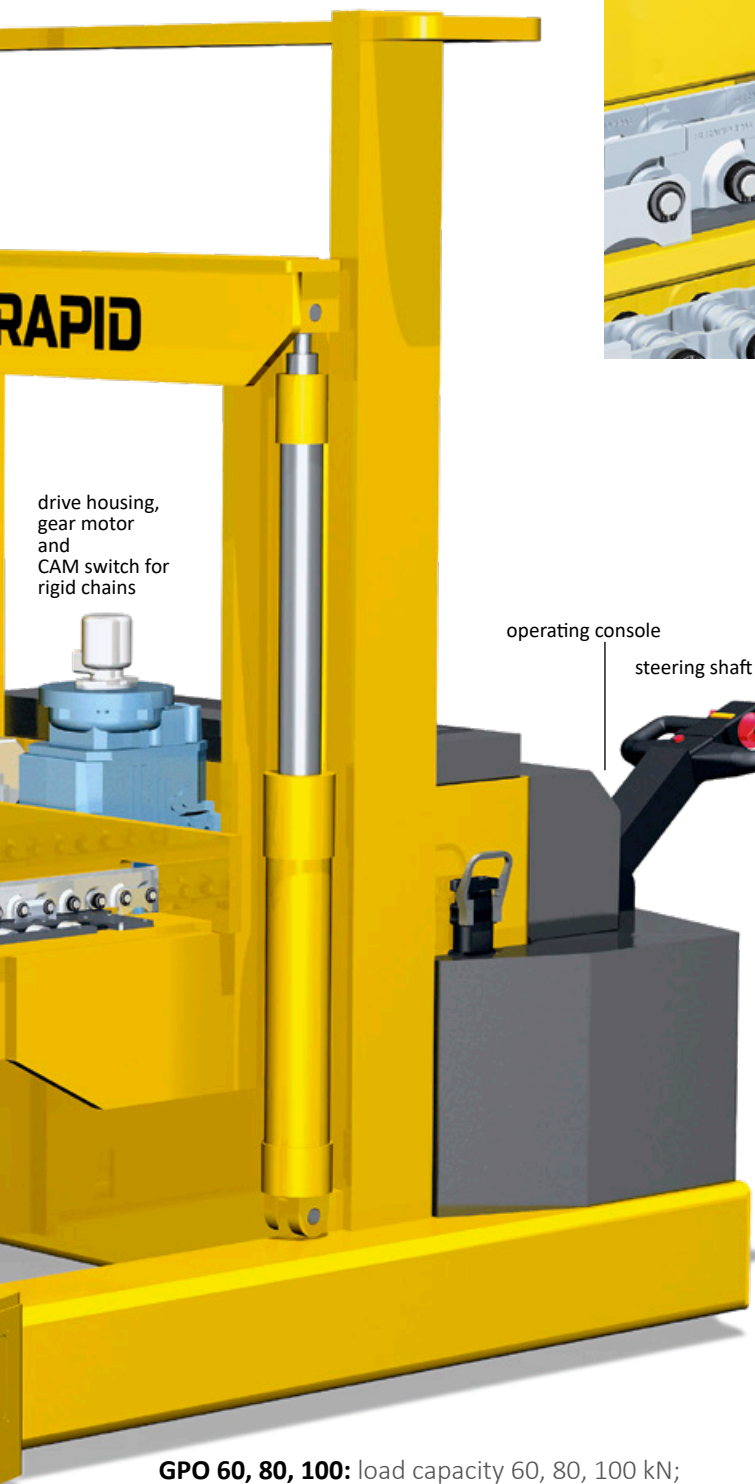
T-rail for
guiding the chain

roller bar

pushing bar with manually
operated die hooks

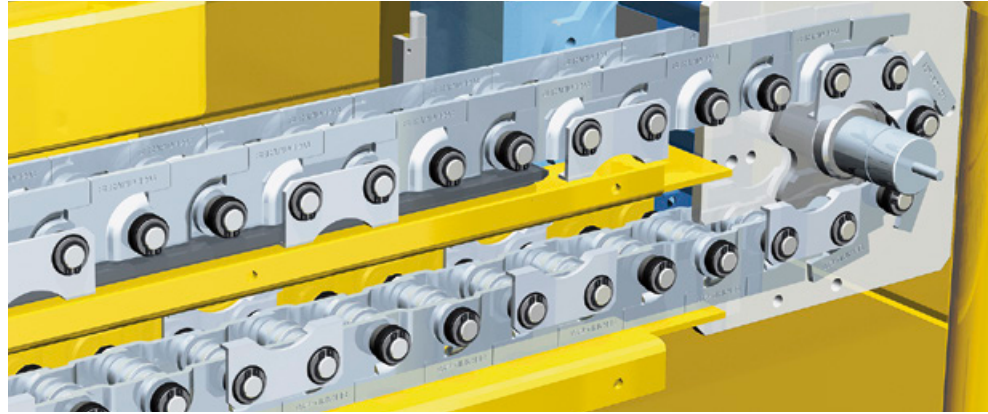
rigid chain

docking interface to press
or storage rack,
with status monitoring sensors



drive housing,
gear motor
and
CAM switch for
rigid chains

operating console
steering shaft



The rigid-chain drive

The purely mechanical rigid chain, developed by SERAPID, not only guarantees accuracy and reliability, it also stores flexibly and efficiently. With the GPO's LinearBeam drive, the chain is redirected by 180°, so its return can be accommodated inside the carrying arms.

Options

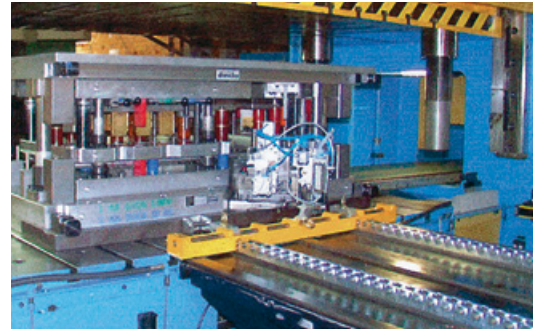
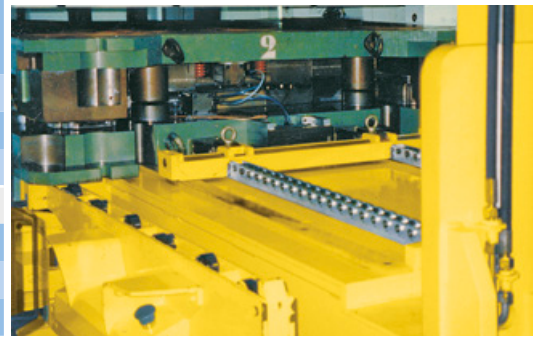
- roller bars on die carrier
- pushing bar with automatic or manual die hooks
- die carrier as a continuous platform
- metal-coil loader
- bi-directional movement of the carriage
- remote control for moving and steering the carriage (can be used in parallel with steering shaft)
- special extensions and adaptations for various applications

GPO 60, 80, 100: load capacity 60, 80, 100 kN;
lifting height 1200 mm above lowest position;
usable depth 1500 mm;
rigid chain system: 2 x LinearBeam 40 / S60, T-guides
with lateral grippers, stroke length approx. 1800 mm

QUICK DIE EXCHANGE
QDX

Models and features

GPO model capacity [kN]	standard			specific	
	60	80	100	120	150
lowest position [mm]					
fixed front wheels	250	300	350	450	500
90° rotating front wheels	350	400	450	550	600
lifting height [mm]					
single mast	1200	1200	1200	1200	1200
dual masts	2000	2000	2000	–	–
lifting speed [mm/s]	30	30	30	20	20
wheel size, Ø [mm]					
driving wheel (active)	300	353	406	406	406
support wheel (passive)	200	250	250	300	400
vehicle speed [km/h]					
	3.5	3.5	3.5	2.7	2.7
rigid chain (shoulders up)					
without rolling elements	60SC	60SC	60SC 60DC	60DC	60DC
with rolling elements	40PSC	60SC	60SC	60SC	60SC
max. transfer speed [mm/s]	80	80	50	50	30
max. distance to bolster [mm]	280	280	280	280	280
battery					
voltage [V]	24	24	24	48	48
capacity [Ah]	460	575	690	345	375
duration (continuous full load) [h]	2	2	2	2	2



This is what you get with our GPO die truck:

- die change within minutes
- die weight up to 15 tons
- original rigid-chain drive with exact positioning in the millimeter range
- sensor-controlled safety mechanisms
- ergonomic, safe and easy operation

SERAPID France – Head Office

ZI Louis Delaporte, Zone Bleue, Voie F
F-76370 Rouxmesnil-Bouteilles | Frankreich
+33 (0)2 32 06 35 60
info-fr@serapid.com

SERAPID Ltd

Elm Farm Park, Great Green, Thurston,
Bury St Edmunds | IP31 3SH England
+44 (0)1359 233335
info-uk@serapid.com

SERAPID Deutschland GmbH

Wilhelm-Frank-Straße 30
D-97980 Bad Mergentheim | Deutschland
+49 (0)7931 9647-0
info-de@serapid.com

SERAPID

RIGID CHAIN TECHNOLOGY

www.serapid.com

SERAPID USA INC.

34100 Mound Road
Sterling Heights MI 48310 | USA
+1 586 274 0774
info-us@serapid.com

SERAPID Singapore Pte Ltd

1 George Street #10-01
Singapore 049145 | Singapur
+65 9119 5890
info-sg@serapid.com

SERAPID Italy Office | +39 01 18 00 35 44 | info-it@serapid.com
SERAPID Mexico Office / LATAM | +52 1 442 4 900 701 | info-mx@serapid.com

SERAPID China Office | +86 185 1215 0303 | info-cn@serapid.com
SERAPID Brazil Office | +55 11 9 73 85 78 37 | info-br@serapid.com